

## 636foliocase

medium duty

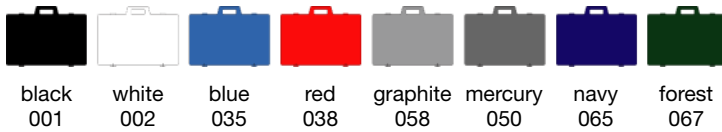
### > TECHNICAL SPECIFICATIONS

material :	<b>polypropylene</b>
unit weight (no foam) :	<b>3 lbs (1.36 kg)</b>
qty per pack :	<b>6</b>
pack weight (no foam) :	<b>22 lbs (10 kg)</b>
airline carry-on :	<b>no</b>
watertight :	<b>no</b>
warranty :	<b>manufacturing defects</b>
wheels :	<b>no</b>

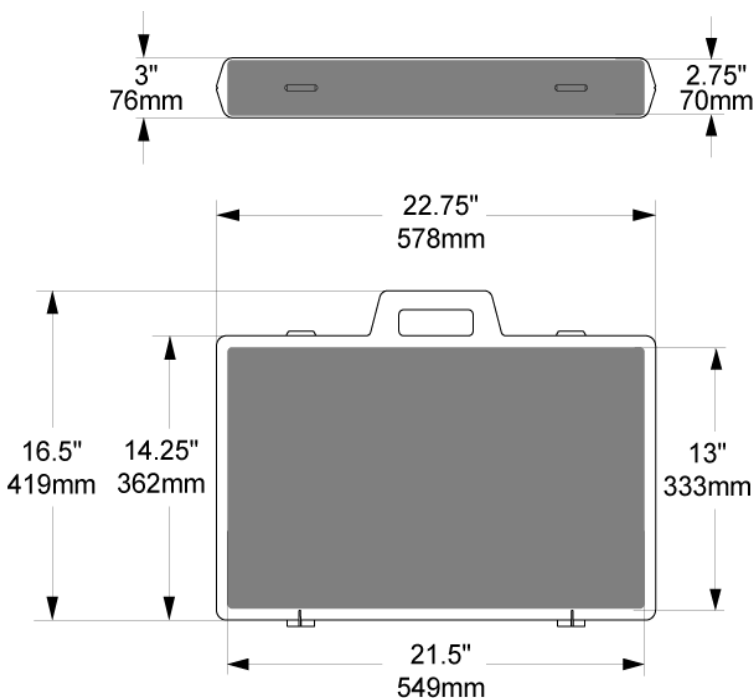
### > CASE DIMENSIONS

interior :	<b>21.5" x 13" x 2.75"</b> <b>(549 x 333 x 70 mm)</b>
exterior :	<b>22.75" x 16.5" x 3"</b> <b>(578 x 419 x 76 mm)</b>

### >> COLORS



### >> CASE DIMENSIONS



### >> STANDARD FEATURES



> integrated handle

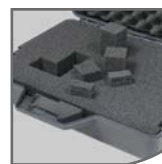


> nylon latches



> strong metal core hinges

### >> AVAILABLE OPTIONS



> pick and pluck foam

Made of 1.8 lbs polyurethane foam, these three-piece sets of customizable foam inserts include a pre-scored 'pick and pluck' layer.



> custom die cut foam

Plasticase can also develop customized die-cut foam inserts as well as offer ready-made customizable inserts for some of our products



> silk screen printing

Our printing department can personalize your cases to bear your image and message.