

## 637lunchcase

medium duty

### > TECHNICAL SPECIFICATIONS

material :	<b>polypropylene</b>
unit weight (no foam) :	<b>1 lbs (0.45 kg)</b>
qty per pack :	<b>10</b>
pack weight (no foam) :	<b>13 lbs (5.9 kg)</b>
airline carry-on :	<b>yes</b>
watertight :	<b>no</b>
warranty :	<b>manufacturing defects</b>
wheels :	<b>no</b>

### > CASE DIMENSIONS

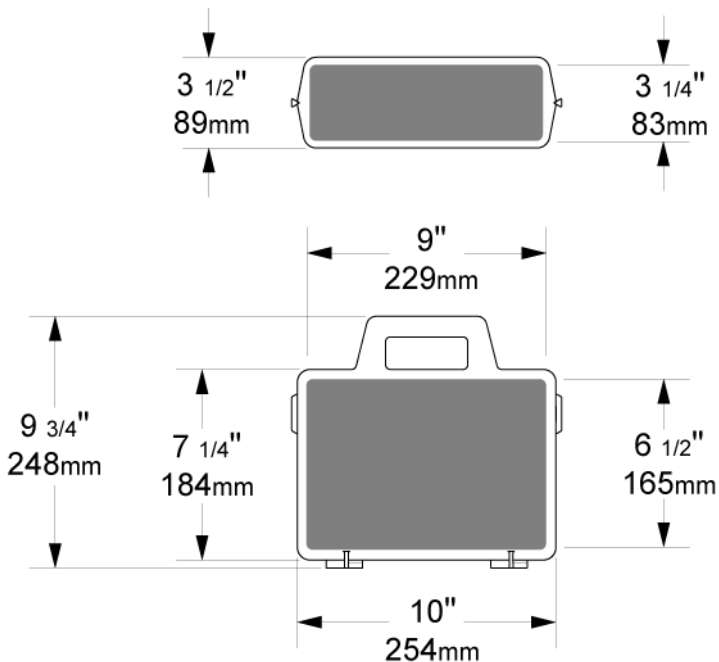
interior :	<b>9" x 6.5" x 3.25"</b> <b>(229 x 165 x 83 mm)</b>
exterior :	<b>10" x 9.75" x 3.5"</b> <b>(254 x 248 x 89 mm)</b>



### >> COLORS



### >> CASE DIMENSIONS



### >> STANDARD FEATURES



> integrated handle

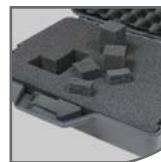


> nylon latches



> strong metal core hinges

### >> AVAILABLE OPTIONS



> pick and pluck foam

Made of 1.8 lbs polyurethane foam, these three-piece sets of customizable foam inserts include a pre-scored 'pick and pluck' layer.



> custom die cut foam

Plasticase can also develop customized die-cut foam inserts as well as offer ready-made customizable inserts for some of our products



> silk screen printing

Our printing department can personalize your cases to bear your image and message.