

638utilitycase

medium duty

> TECHNICAL SPECIFICATIONS

material :	polypropylene
unit weight (no foam) :	1.67 lbs (0.76 kg)
qty per pack :	10
pack weight (no foam) :	25 lbs (11.33 kg)
airline carry-on :	yes
watertight :	no
warranty :	manufacturing defects
wheels :	no

> CASE DIMENSIONS

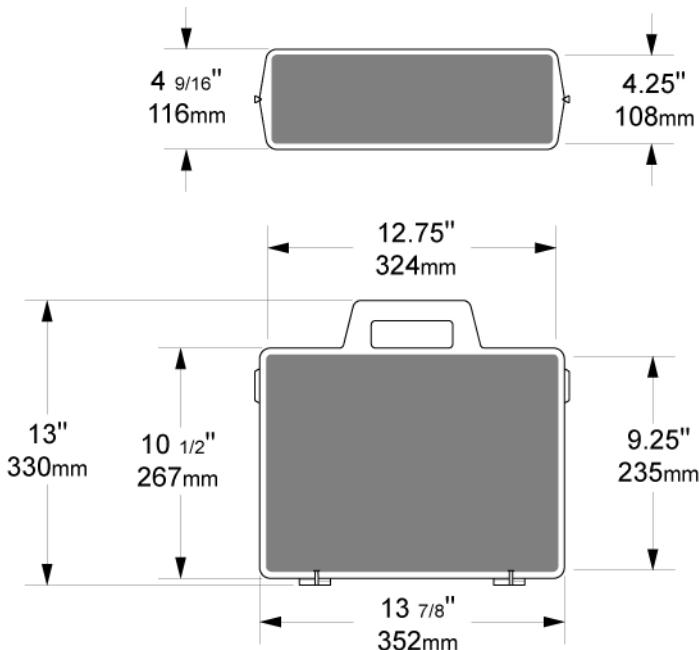
interior :	12.75" x 9.25" x 4.25" (324 x 235 x 108 mm)
exterior :	13.875" x 13" x 4.563" (352 x 330 x 116 mm)



>> COLORS



>> CASE DIMENSIONS



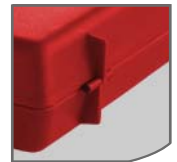
>> STANDARD FEATURES



> integrated handle

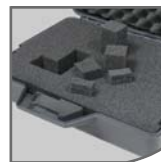


> nylon latches



> strong metal core hinges

>> AVAILABLE OPTIONS



> pick and pluck foam

Made of 1.8 lbs polyurethane foam, these three-piece sets of customizable foam inserts include a pre-scored 'pick and pluck' layer.



> custom die cut foam

Plasticase can also develop customized die-cut foam inserts as well as offer ready-made customizable inserts for some of our products



> silk screen printing

Our printing department can personalize your cases to bear your image and message.