

642kitcase

light duty

> TECHNICAL SPECIFICATIONS

| | |
|-------------------------|------------------------------|
| material : | polypropylene |
| unit weight (no foam) : | 1.5 lbs (0.66 kg) |
| qty per pack : | 24 |
| pack weight (no foam) : | 38 lbs (17.3 kg) |
| airline carry-on : | yes |
| watertight : | no |
| warranty : | manufacturing defects |
| wheels : | no |

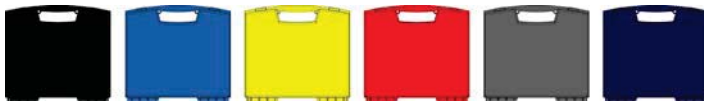
> CASE DIMENSIONS

| | |
|------------|--|
| interior : | 12.63" x 9" x 2.5" (321 x 224 x 64 mm) |
| exterior : | 13.13" x 11.75" x 2.75" (333 x 298 x 70 mm) |

NEW
& IMPROVED
DESIGN

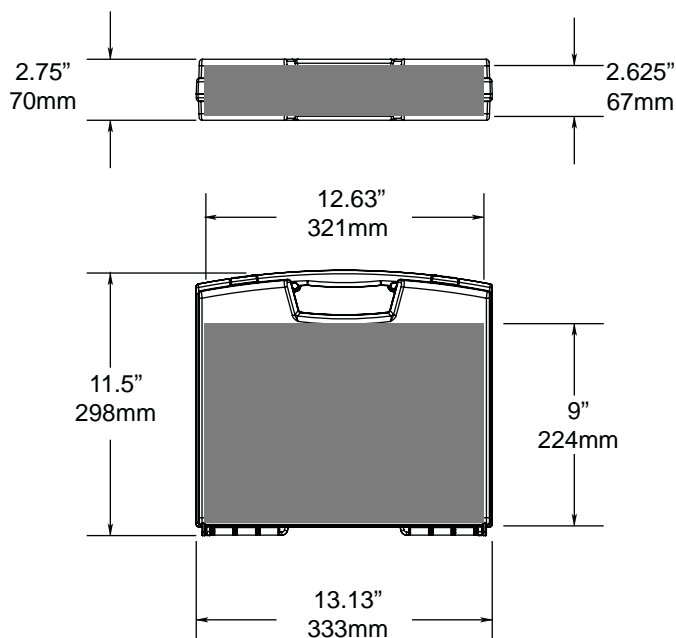
- > increased wall thickness
- > strengthened hinges
- > padlockable
- > improved latches

>> COLORS



black 001 blue 035 yellow 036 red 038 graphite 058 navy 065

>> CASE DIMENSIONS



>> STANDARD FEATURES



> integrated handle



> snap-on nylon latches



> padlockable

>> AVAILABLE OPTIONS



> pick and pluck foam

Made of 1.8 lbs polyurethane foam, these three-piece sets of customizable foam inserts include a pre-scored 'pick and pluck' layer.



> custom die cut foam

Plasticase can also develop customized die-cut foam inserts as well as offer ready-made customizable inserts for some of our products



> silk screen printing

Our printing department can personalize your cases to bear your image and message.