

645multi-kitcase

light duty



> TECHNICAL SPECIFICATIONS

material :	polypropylene
unit weight (no foam) :	1.14 lbs (0.52 kg)
qty per pack :	24
pack weight (no foam) :	29.98 lbs (13.6 kg)
airline carry-on :	yes
watertight :	no
warranty :	manufacturing defects
wheels :	no

> CASE DIMENSIONS

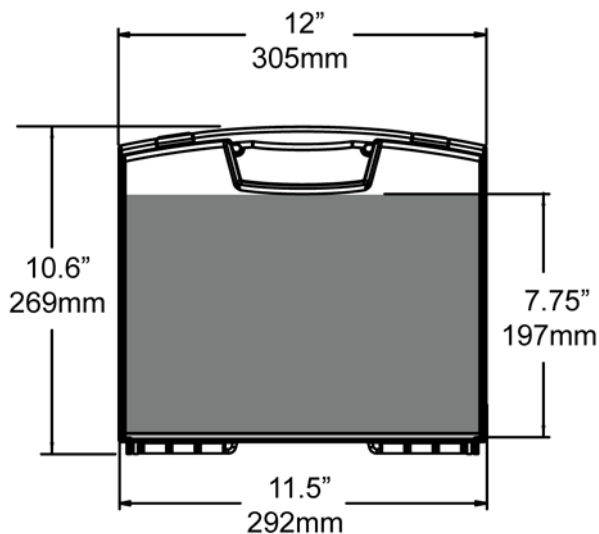
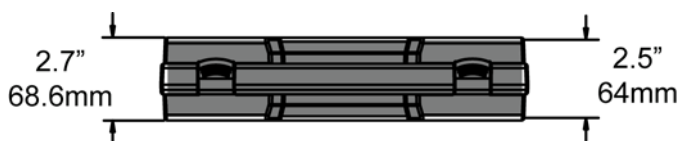
interior :	11.5" x 7.75" x 2.5" (292 x 197 x 64 mm)
exterior :	12" x 10.6" x 2.7" (305 x 269 x 69 mm)

>> COLORS

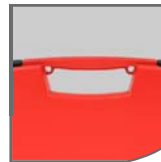


black 001 blue 035 yellow 036 red 038 graphite 058 navy 065

>> CASE DIMENSIONS



>> STANDARD FEATURES



> integrated handle

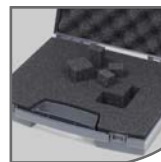


> snap-on nylon latches



> padlockable

>> AVAILABLE OPTIONS



> pick and pluck foam

Made of 1.8 lbs polyurethane foam, these three-piece sets of customizable foam inserts include a pre-scored 'pick and pluck' layer.



> custom die cut foam

Plasticase can also develop customized die-cut foam inserts as well as offer ready-made customizable inserts for some of our products



> silk screen printing

Our printing department can personalize your cases to bear your image and message.